

DIAMETER METERS (feet)	MODEL NUMBER	HEIGHTS		CAPACITY	
		EAVES	OVERALL	m³	Tons
		m	m		
<b>3,64</b> m (12 FT)	FC 4/5	7,06	8,00	57	44
	FC 4/6	7,94	8,88	66	51
	FC 4/7	8,82	9,76	75	59
	FC 4/8	9,70	10,64	84	66
	FC 4/9	10,58	11,52	93	73
	FC 4/10	11,46	12,40	103	80
	FC 4/11	12,34	13,28	112	87
	FC 4/12	13,22	14,16	121	94
	FC 4/13	14,10	15,04	130	101
	FC 4/14	14,98	15,92	139	109
	FC 4/15	15,86	16,80	148	116
	FC 4/16	16,74	17,68	157	123
	FC 4/17	17,62	18,56	167	130
FC 4/18	18,50	19,44	176	137	
FC 4/19	19,38	20,32	185	144	
FC 4/20	20,26	21,20	194	151	
<b>4,55</b> m (15 FT)	FC 5/5	7,51	8,71	93	72
	FC 5/6	8,39	9,59	107	83
	FC 5/7	9,27	10,47	121	95
	FC 5/8	10,15	11,35	135	106
	FC 5/9	11,03	12,23	150	117
	FC 5/10	11,91	13,11	164	128
	FC 5/11	12,79	13,99	178	139
	FC 5/12	13,67	14,87	193	150
	FC 5/13	14,55	15,75	207	161
	FC 5/14	15,43	16,63	221	173
	FC 5/15	16,31	17,51	236	184
	FC 5/16	17,19	18,39	250	195
	FC 5/17	18,07	19,27	264	206
FC 5/18	18,95	20,15	278	217	
FC 5/19	19,83	21,03	293	228	
FC 5/20	20,71	21,91	307	239	
FC 5/21	21,59	22,79	321	251	
FC 5/22	22,47	23,67	336	262	
FC 5/23	23,35	24,55	350	273	
FC 5/24	24,23	25,43	364	284	
FC 5/25	25,11	26,31	379	295	
<b>5,46</b> m (18 FT)	FC 6/5	7,99	9,49	139	109
	FC 6/6	8,87	10,37	160	125
	FC 6/7	9,75	11,25	180	141
	FC 6/8	10,63	12,13	201	157
	FC 6/9	11,51	13,01	222	173
	FC 6/10	12,39	13,89	242	189
	FC 6/11	13,27	14,77	263	205
	FC 6/12	14,15	15,65	283	221
	FC 6/13	15,03	16,53	304	237
	FC 6/14	15,91	17,41	325	253
	FC 6/15	16,79	18,29	345	269
	FC 6/16	17,67	19,17	366	285
	FC 6/17	18,55	20,05	386	301
FC 6/18	19,43	20,93	407	317	
FC 6/19	20,31	21,81	427	333	
FC 6/20	21,19	22,69	448	349	
FC 6/21	22,07	23,57	469	366	
FC 6/22	22,95	24,45	489	382	
FC 6/23	23,83	25,33	510	398	
FC 6/24	24,71	26,21	530	414	
FC 6/25	25,59	27,09	551	430	
FC 6/26	26,47	27,97	572	446	
FC 6/27	27,35	29,47	592	462	
FC 6/28	28,23	30,97	613	478	
FC 6/29	29,11	32,47	633	494	
FC 6/30	29,99	33,97	654	510	
<b>6,37</b> m (21 FT)	FC 7/5	8,44	10,24	197	154
	FC 7/6	9,32	11,12	225	175
	FC 7/7	10,20	12,00	253	197
	FC 7/8	11,08	12,88	281	219
	FC 7/9	11,96	13,76	309	241
	FC 7/10	12,84	14,64	337	263
	FC 7/11	13,72	15,52	365	285
	FC 7/12	14,60	16,40	393	307
	FC 7/13	15,48	17,28	421	328
	FC 7/14	16,36	18,16	449	350
	FC 7/15	17,24	19,04	477	372
	FC 7/16	18,12	19,92	505	394
	FC 7/17	19,00	20,80	533	416
FC 7/18	19,88	21,68	561	438	
FC 7/19	20,76	22,56	589	460	
FC 7/20	21,64	23,44	617	481	
FC 7/21	22,52	24,32	645	503	
FC 7/22	23,40	25,20	673	525	
FC 7/23	24,28	26,08	701	547	
FC 7/24	25,16	26,96	729	569	
FC 7/25	26,04	27,84	757	591	
FC 7/26	26,92	28,72	785	613	
FC 7/27	27,80	29,60	813	634	
FC 7/28	28,68	30,48	841	656	
FC 7/29	29,56	31,36	869	678	
FC 7/30	30,44	32,24	897	700	

DIAMETER METERS (feet)	MODEL NUMBER	HEIGHTS		CAPACITY	
		EAVES	OVERALL	m³	Tons
		m	m		
<b>7,28</b> m (24 FT)	FC 8/5	8,90	10,90	267	208
	FC 8/6	9,78	11,78	303	237
	FC 8/7	10,66	12,66	340	265
	FC 8/8	11,54	13,54	377	294
	FC 8/9	12,42	14,42	413	322
	FC 8/10	13,30	15,30	450	351
	FC 8/11	14,18	16,18	486	379
	FC 8/12	15,06	17,06	523	408
	FC 8/13	15,94	17,94	560	437
	FC 8/14	16,82	18,82	596	465
	FC 8/15	17,70	19,70	633	494
	FC 8/16	18,58	20,58	669	522
	FC 8/17	19,46	21,46	706	551
FC 8/18	20,34	22,34	743	579	
FC 8/19	21,22	23,22	779	608	
FC 8/20	22,10	24,10	816	636	
FC 8/21	22,98	24,98	852	665	
FC 8/22	23,86	25,86	889	693	
FC 8/23	24,74	26,74	926	722	
FC 8/24	25,62	27,62	962	751	
FC 8/25	26,50	28,50	999	779	
FC 8/26	27,38	29,38	1.035	808	
FC 8/27	28,26	30,26	1.072	836	
FC 8/28	29,14	31,14	1.109	865	
FC 8/29	30,02	32,02	1.145	893	
FC 8/30	30,90	32,90	1.182	922	
<b>8,19</b> m (27 FT)	FC 9/5	9,36	11,66	350	273
	FC 9/6	10,24	12,54	397	309
	FC 9/7	11,12	13,42	443	346
	FC 9/8	12,00	14,30	489	382
	FC 9/9	12,88	15,18	536	418
	FC 9/10	13,76	16,06	582	454
	FC 9/11	14,64	16,94	628	490
	FC 9/12	15,52	17,82	675	526
	FC 9/13	16,40	18,70	721	562
	FC 9/14	17,28	19,58	767	599
	FC 9/15	18,16	20,46	814	635
	FC 9/16	19,04	21,34	860	671
	FC 9/17	19,92	22,22	906	707
FC 9/18	20,80	23,10	953	743	
FC 9/19	21,68	23,98	999	779	
FC 9/20	23,01	25,31	1.045	815	
FC 9/21	23,89	26,19	1.092	851	
FC 9/22	24,77	27,07	1.138	888	
FC 9/23	25,65	27,95	1.184	924	
FC 9/24	26,53	28,83	1.231	960	
FC 9/25	27,41	29,71	1.277	996	
FC 9/26	28,29	30,59	1.323	1.032	
FC 9/27	29,17	31,47	1.370	1.068	
FC 9/28	30,05	32,35	1.416	1.104	
FC 9/29	30,93	33,23	1.462	1.140	
FC 9/30	31,81	34,11	1.508	1.176	
<b>9,10</b> m (30 FT)	FC 10/5	9,86	12,36	450	351
	FC 10/6	10,74	13,24	508	396
	FC 10/7	11,62	14,12	565	440
	FC 10/8	12,50	15,00	622	485
	FC 10/9	13,38	15,88	679	530
	FC 10/10	14,26	16,76	736	574
	FC 10/11	15,14	17,64	793	619
	FC 10/12	16,02	18,52	851	664
	FC 10/13	16,90	19,40	908	708
	FC 10/14	17,78	20,28	965	753
	FC 10/15	18,66	21,16	1.022	797
	FC 10/16	19,54	22,05	1.080	842
	FC 10/17	20,42	22,93	1.137	887
FC 10/18	21,30	23,81	1.194	932	
FC 10/19	22,18	24,69	1.252	976	
FC 10/20	23,06	25,57	1.309	1.021	
FC 10/21	23,94	26,45	1.366	1.065	
FC 10/22	24,82	27,33	1.423	1.110	
FC 10/23	25,70	28,21	1.480	1.155	
FC 10/24	26,58	29,09	1.538	1.199	
FC 10/25	27,46	29,97	1.595	1.244	
FC 10/26	28,34	30,85	1.652	1.289	
FC 10/27	29,22	31,73	1.709	1.333	
FC 10/28	30,10	32,61	1.766	1.378	
FC 10/29	30,98	33,49	1.823	1.422	
FC 10/30	31,86	34,37	1.880	1.466	

FRAME reserves the right to change specification without prior notice.

DIAMETER METERS (feet)	MODEL NUMBER	HEIGHTS		CAPACITY				
		EAVES (m)	OVERALL (m)	m³	Tons			
10,00 m (33 FT)	FC11	FC 11/5	10,32	13,12	564	440		
		FC 11/6	11,20	14,00	633	494		
		FC 11/7	12,08	14,88	702	548		
		FC 11/8	12,96	15,76	772	602		
		FC 11/9	13,84	16,64	841	656		
		FC 11/10	14,72	17,52	910	710		
		FC 11/11	15,60	18,40	979	764		
		FC 11/12	16,48	19,28	1.048	818		
		FC 11/13	17,36	20,16	1.118	872		
		FC 11/14	18,24	21,04	1.187	926		
		FC 11/15	19,12	21,92	1.256	980		
		FC 11/16	20,01	22,81	1.326	1.034		
		FC 11/17	20,89	23,69	1.395	1.088		
		FC 11/18	21,77	24,57	1.464	1.142		
		FC 11/19	22,65	25,45	1.534	1.196		
		FC 11/20	23,53	26,33	1.603	1.250		
		FC 11/21	24,41	27,21	1.672	1.304		
		FC 11/22	25,29	28,09	1.741	1.358		
		FC 11/23	26,17	28,97	1.810	1.412		
		FC 11/24	27,05	29,85	1.879	1.466		
		FC 11/25	27,93	30,73	1.949	1.520		
		FC 11/26	29,26	32,06	2.018	1.574		
		FC 11/27	30,14	32,94	2.087	1.628		
		FC 11/28	31,02	33,82	2.156	1.682		
		FC 11/29	31,90	34,70	2.225	1.736		
		FC 11/30	32,78	35,58	2.295	1.790		
		10,91 m (36 FT)	FC12	FC 12/5	10,79	13,89	694	541
				FC 12/6	11,67	14,77	776	605
				FC 12/7	12,55	15,65	859	670
				FC 12/8	13,43	16,53	941	734
FC 12/9	14,31			17,41	1.023	798		
FC 12/10	15,19			18,29	1.106	862		
FC 12/11	16,07			19,17	1.188	927		
FC 12/12	16,95			20,05	1.270	991		
FC 12/13	17,83			20,93	1.353	1.055		
FC 12/14	18,71			21,81	1.435	1.119		
FC 12/15	19,59			22,69	1.517	1.184		
FC 12/16	20,48			23,58	1.601	1.249		
FC 12/17	21,36			24,46	1.683	1.313		
FC 12/18	22,24			25,34	1.766	1.377		
FC 12/19	23,12			26,22	1.848	1.442		
FC 12/20	24,00			27,10	1.930	1.506		
FC 12/21	24,88			27,98	2.013	1.570		
FC 12/22	25,76			28,86	2.095	1.634		
FC 12/23	26,64			29,74	2.178	1.698		
FC 12/24	27,52			30,62	2.260	1.763		
FC 12/25	28,40			31,50	2.342	1.827		
FC 12/26	29,28			32,38	2.425	1.891		
FC 12/27	30,16			33,26	2.507	1.955		
FC 12/28	31,04			34,14	2.589	2.020		
FC 12/29	31,92			35,02	2.672	2.084		
FC 12/30	32,80			35,90	2.754	2.148		
11,82 m (39 FT)	FC13			FC 13/5	11,27	14,67	843	658
				FC 13/6	12,15	15,55	940	733
				FC 13/7	13,03	16,43	1.036	808
				FC 13/8	13,91	17,31	1.133	884
		FC 13/9	14,79	18,19	1.230	959		
		FC 13/10	15,67	19,07	1.326	1.035		
		FC 13/11	16,55	19,95	1.423	1.110		
		FC 13/12	17,43	20,83	1.520	1.185		
		FC 13/13	18,31	21,71	1.616	1.261		
		FC 13/14	19,19	22,59	1.713	1.336		
		FC 13/15	20,07	23,47	1.810	1.411		
		FC 13/16	20,96	24,36	1.907	1.488		
		FC 13/17	21,84	25,24	2.004	1.563		
		FC 13/18	22,72	26,12	2.101	1.638		
		FC 13/19	23,60	27,00	2.197	1.714		
		FC 13/20	24,48	27,88	2.294	1.789		
		FC 13/21	25,36	28,76	2.391	1.865		
		FC 13/22	26,24	29,64	2.487	1.940		
		FC 13/23	27,12	30,52	2.584	2.015		
		FC 13/24	28,00	31,40	2.680	2.091		
		FC 13/25	29,33	32,73	2.777	2.166		
		FC 13/26	30,21	33,61	2.874	2.242		
		FC 13/27	31,09	34,49	2.970	2.317		
		FC 13/28	31,97	35,37	3.067	2.392		
		FC 13/29	32,85	36,25	3.164	2.468		
		FC 13/30	33,73	37,13	3.260	2.543		

DIAMETER METERS (feet)	MODEL NUMBER	HEIGHTS		CAPACITY		
		EAVES (m)	OVERALL (m)	m³	Tons	
12,73 m (42 FT)	FC14	FC 14/5	11,73	15,33	1.007	786
		FC 14/6	12,61	16,21	1.119	873
		FC 14/7	13,49	17,09	1.232	961
		FC 14/8	14,37	17,97	1.344	1.048
		FC 14/9	15,25	18,85	1.456	1.135
		FC 14/10	16,13	19,73	1.568	1.223
		FC 14/11	17,01	20,61	1.680	1.310
		FC 14/12	17,89	21,49	1.792	1.398
		FC 14/13	18,77	22,37	1.904	1.485
		FC 14/14	19,65	23,25	2.016	1.573
		FC 14/15	20,53	24,13	2.128	1.660
		FC 14/16	21,42	25,02	2.242	1.748
		FC 14/17	22,30	25,90	2.354	1.836
		FC 14/18	23,18	26,78	2.466	1.923
		FC 14/19	24,06	27,66	2.578	2.011
		FC 14/20	24,94	28,54	2.690	2.098
		FC 14/21	25,82	29,42	2.802	2.186
		FC 14/22	26,70	30,30	2.914	2.273
		FC 14/23	27,58	31,18	3.026	2.360
		FC 14/24	28,46	32,06	3.138	2.448
		FC 14/25	29,34	32,94	3.250	2.535
		FC 14/26	30,22	33,82	3.362	2.623
		FC 14/27	31,10	34,70	3.474	2.710
		FC 14/28	31,98	35,58	3.586	2.798
		FC 14/29	32,86	36,46	3.698	2.885
		FC 14/30	33,74	37,34	3.810	2.972

NOTE:

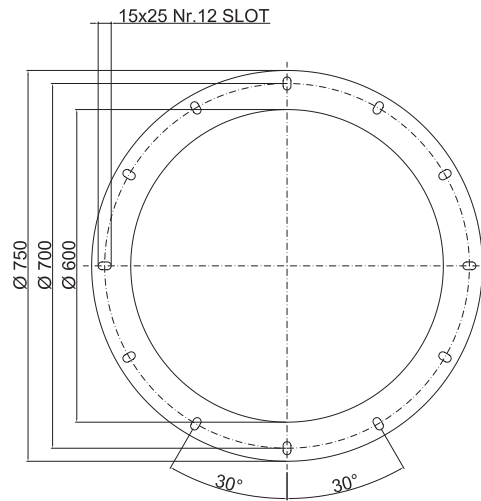
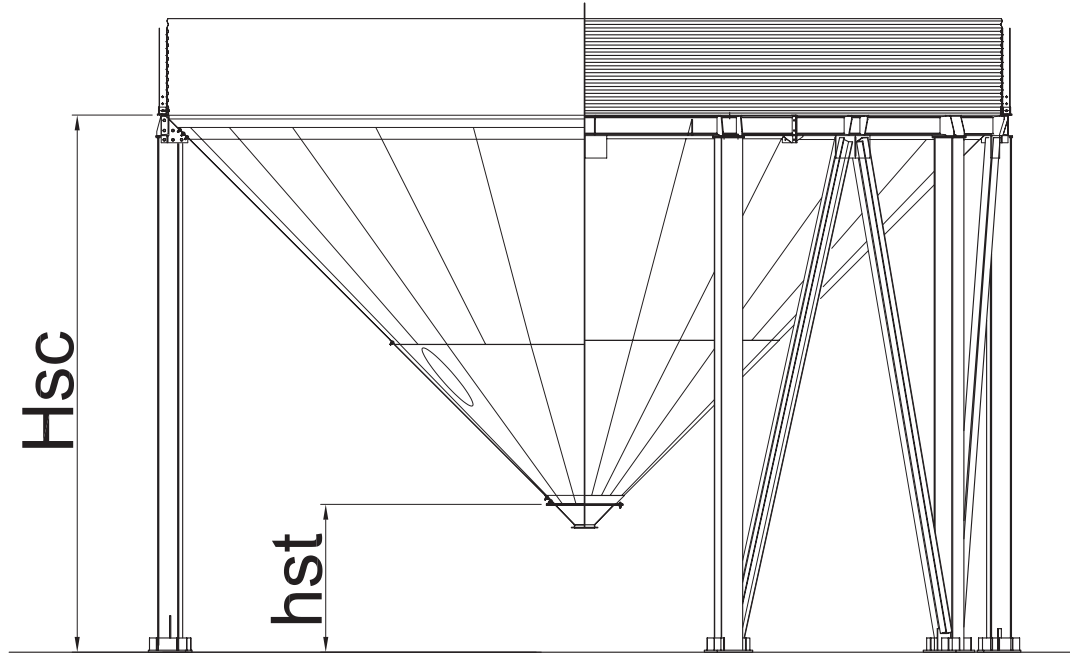
The maximum capacity of the silos is calculated assuming an angle of repose of 28° and based on uncompacted cereals weight of 780 kg/m³. Silos are designed to meet:

- 144 km/h wind speed
- 75 kg/m² of snow on the roof

Standard roof peak capacity varies from 250 to 15.000 kg, depending on silo diameter. FRAME reserves right to change specifications without prior notice.



FRAME reserves the right to change specification without prior notice.



TYPE	45° FC COMMERCIAL HOPPER		60° FC COMMERCIAL HOPPER	
	hst mm	hsc mm	hst mm	hsc mm
FC 04	760	2300	910	3570
FC 05	990	3000	910	4360
FC 06	890	3375	910	5150
FC 07	1080	3930	910	5940
FC 08	1450	4475	1200	7020
FC 09	1450	5060	1200	7810
FC 10	1450	5520	1200	8600
FC 11	1450	5965	1200	9400